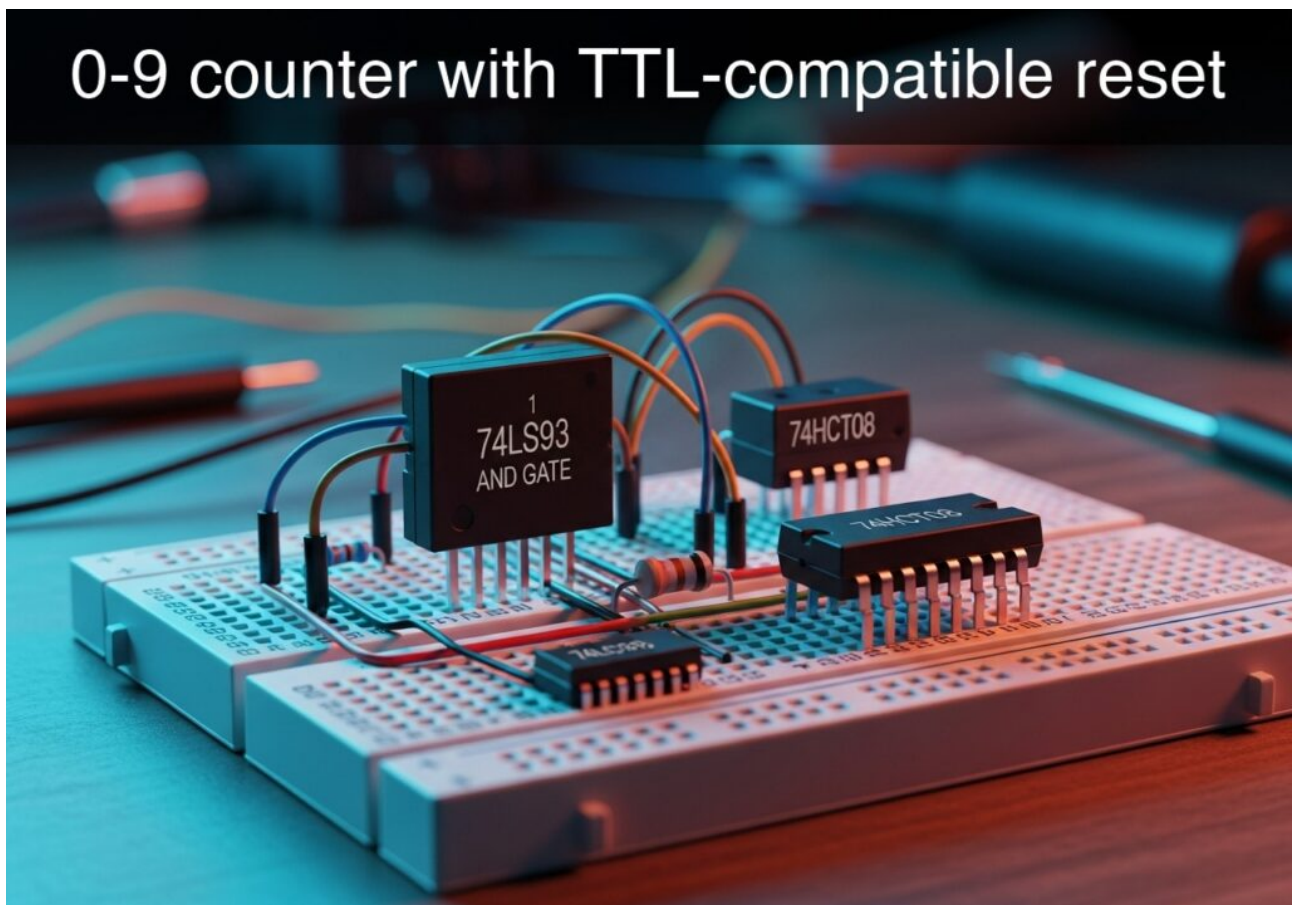


Practical case: 0-9 counter with TTL-compatible reset



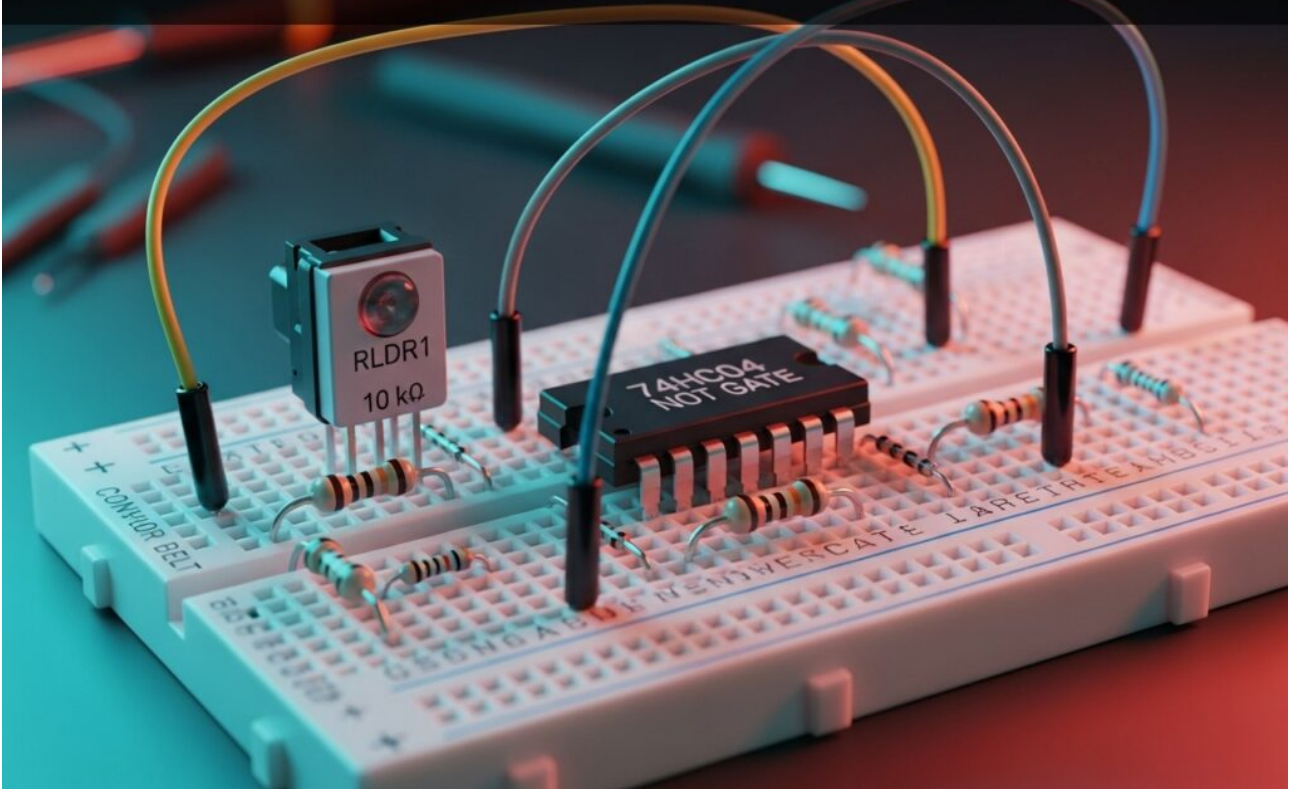
Level: Medium — Build a decimal counter that advances from 0 to 9 and resets automatically using a TTL-compatible AND gate.

Objective and use case

You...

Practical case: Conveyor belt object counter

Conveyor belt object counter



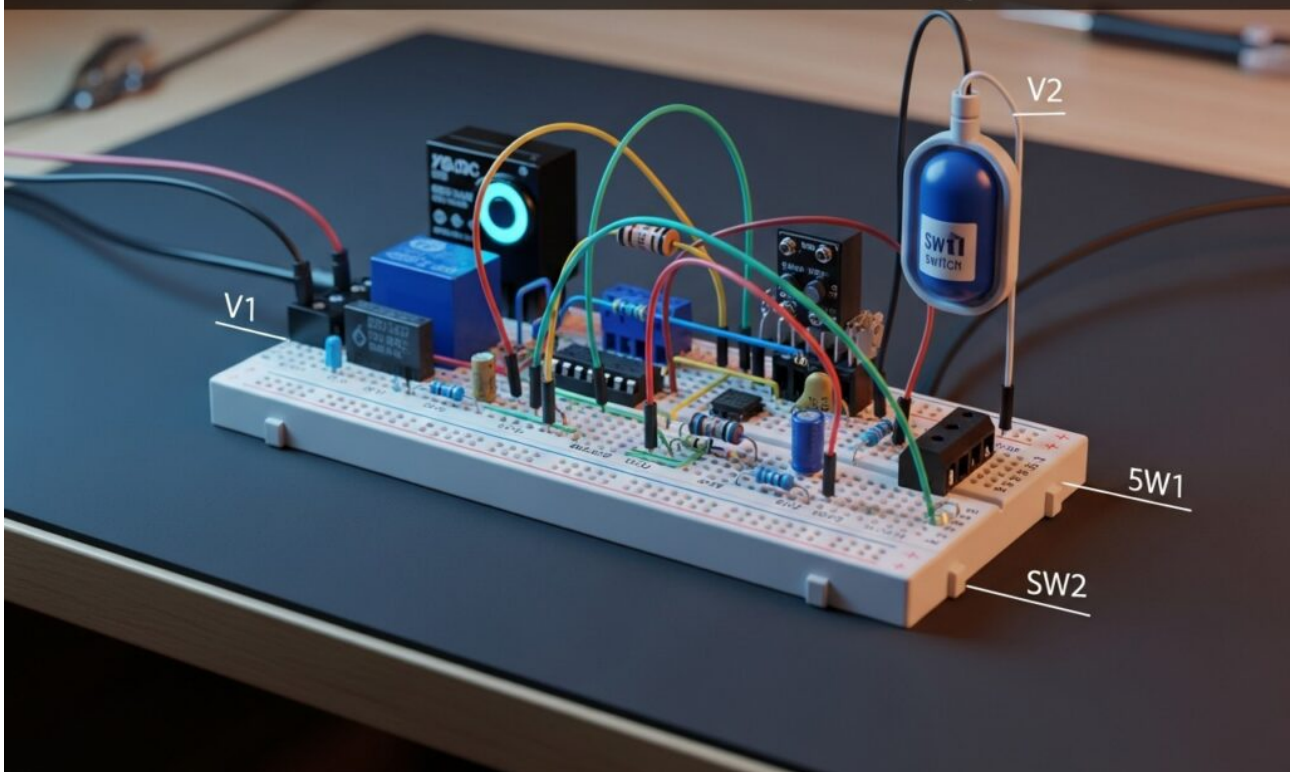
Level: Medium - Build an optical object counter with decimal outputs and an automatic batch reset.

Objective and use case

In this practical case, you will...

Practical case: Automatic Reservoir Pump Controller

Automatic Reservoir Pump Controller



Level: Medium | Construct a transistor-driven relay circuit to automatically control a water pump using a float switch.

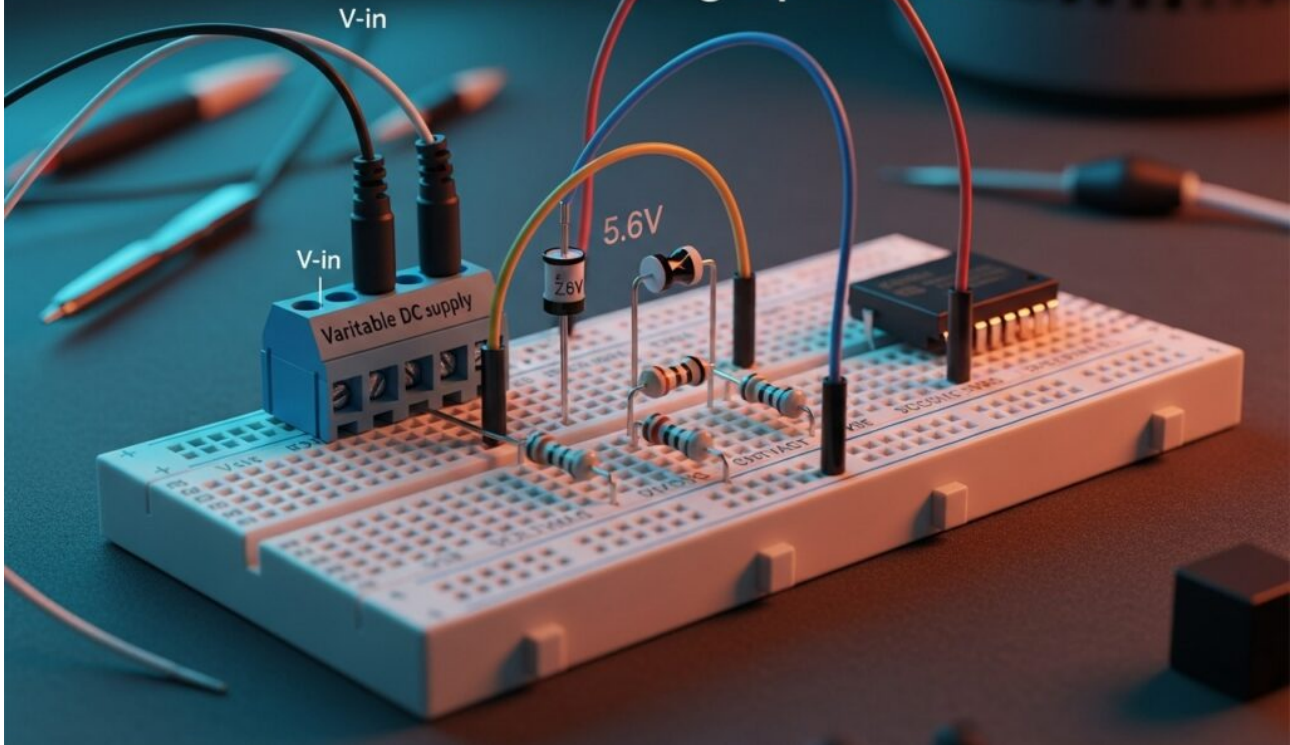
Objective and use case

In this...

Practical case: Overvoltage protection

Overvoltage protection

Overvoltage protection



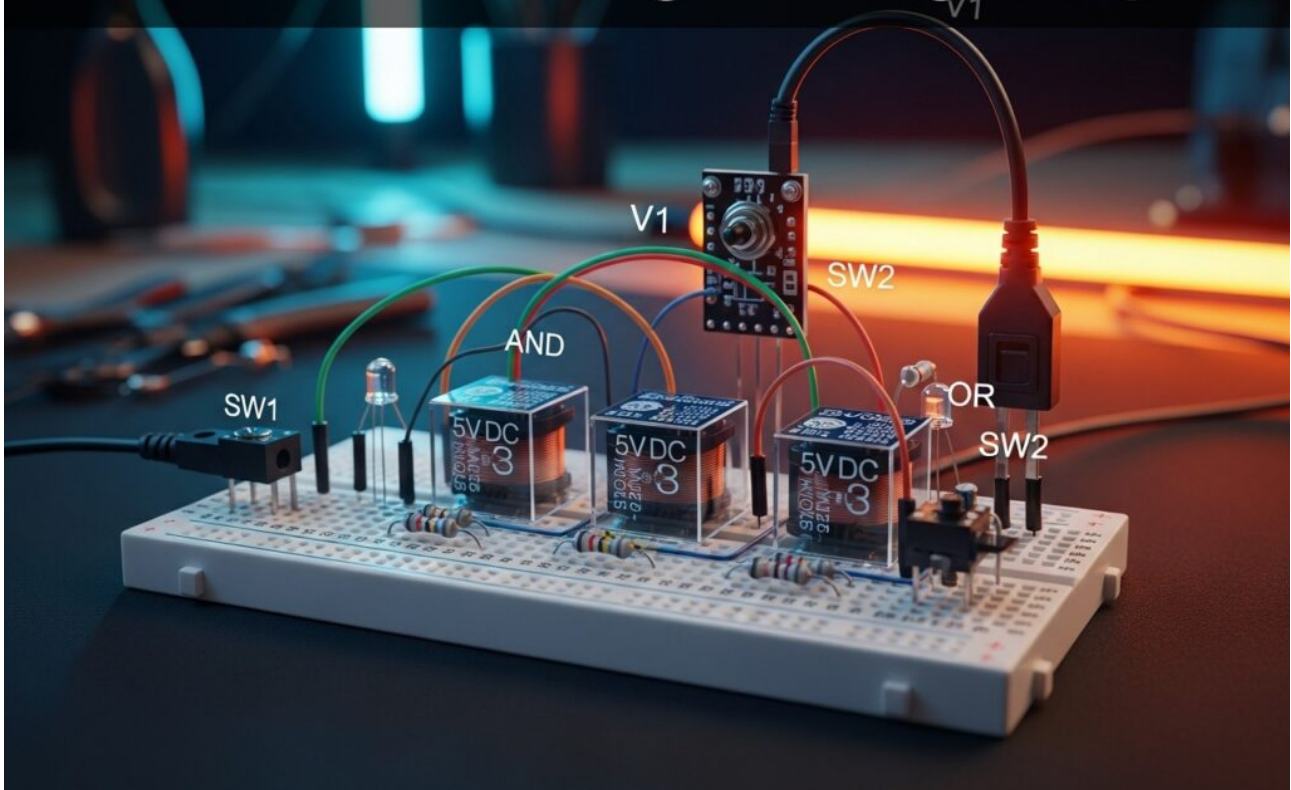
Level: Medium - Disconnect a critical load using a normally closed relay contact when a voltage threshold is exceeded.

Objective and use case

In this...

Practical case: AND and OR logic using relays

AND and OR logic using relays



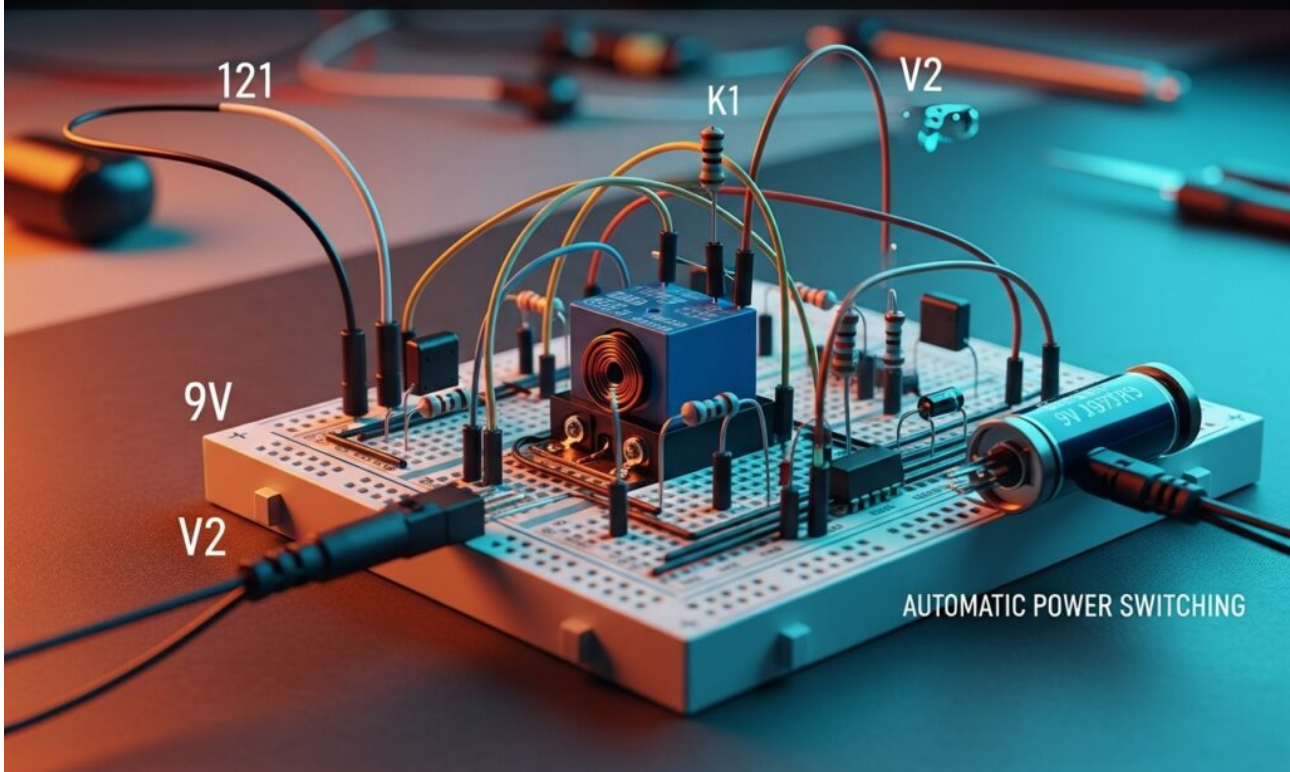
Level: Medium - Build basic logic gates by wiring the contacts of multiple relays in series and parallel.

Objective and use case

* **What you will...

Practical case: Automatic power switching

Automatic power switching



Level: Medium - Implement an SPDT relay to automatically alternate between a main power supply and a backup battery.

Objective and use case
In this...