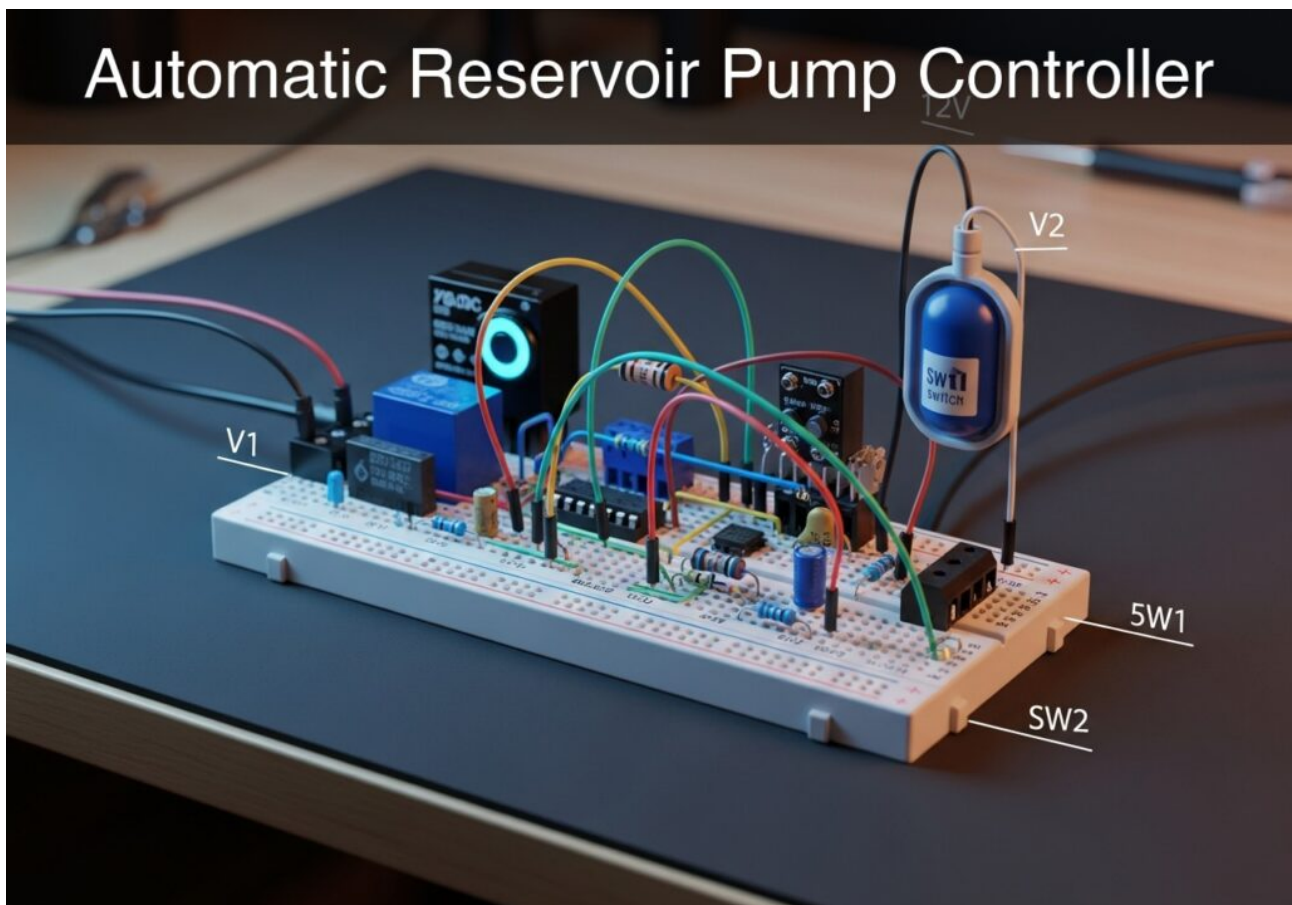


## Practical case: Automatic Reservoir Pump Controller



Level: Medium | Construct a transistor-driven relay circuit to automatically control a water pump using a float switch.

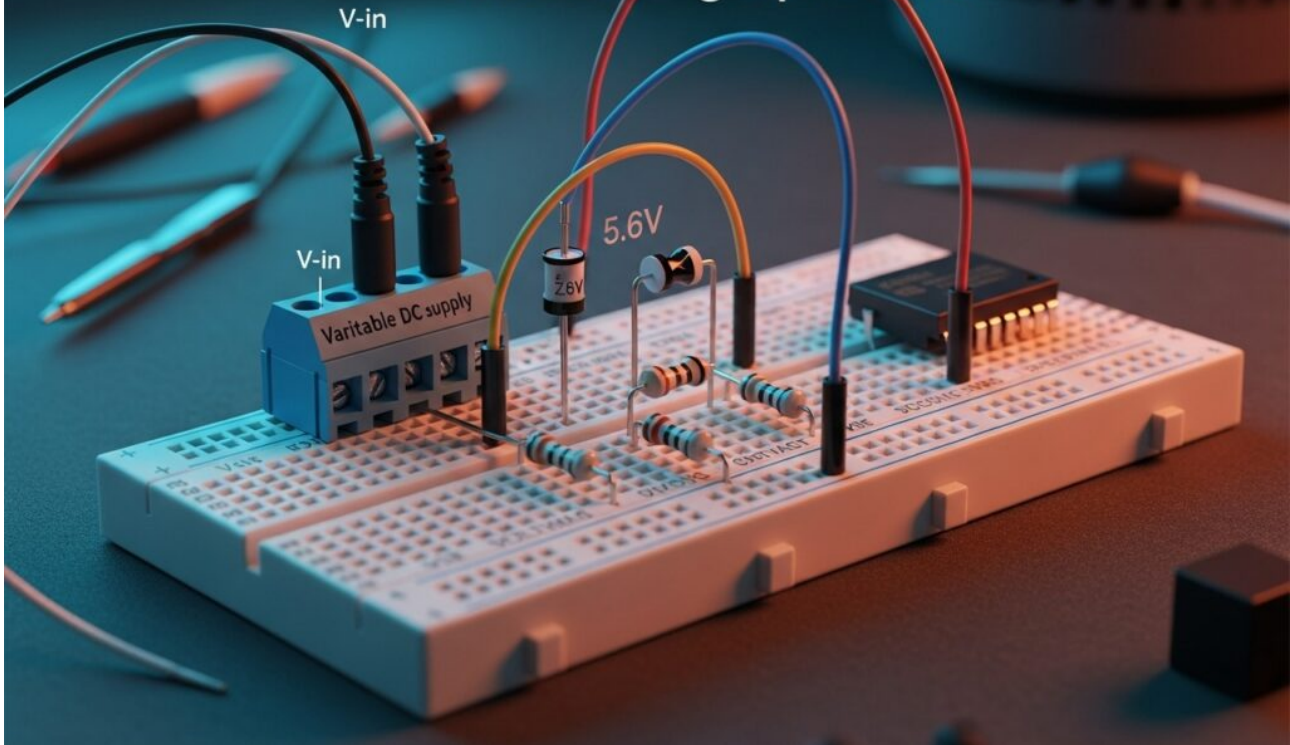
## Objective and use case

In this...

---

## Practical case: Overvoltage protection

# Overvoltage protection



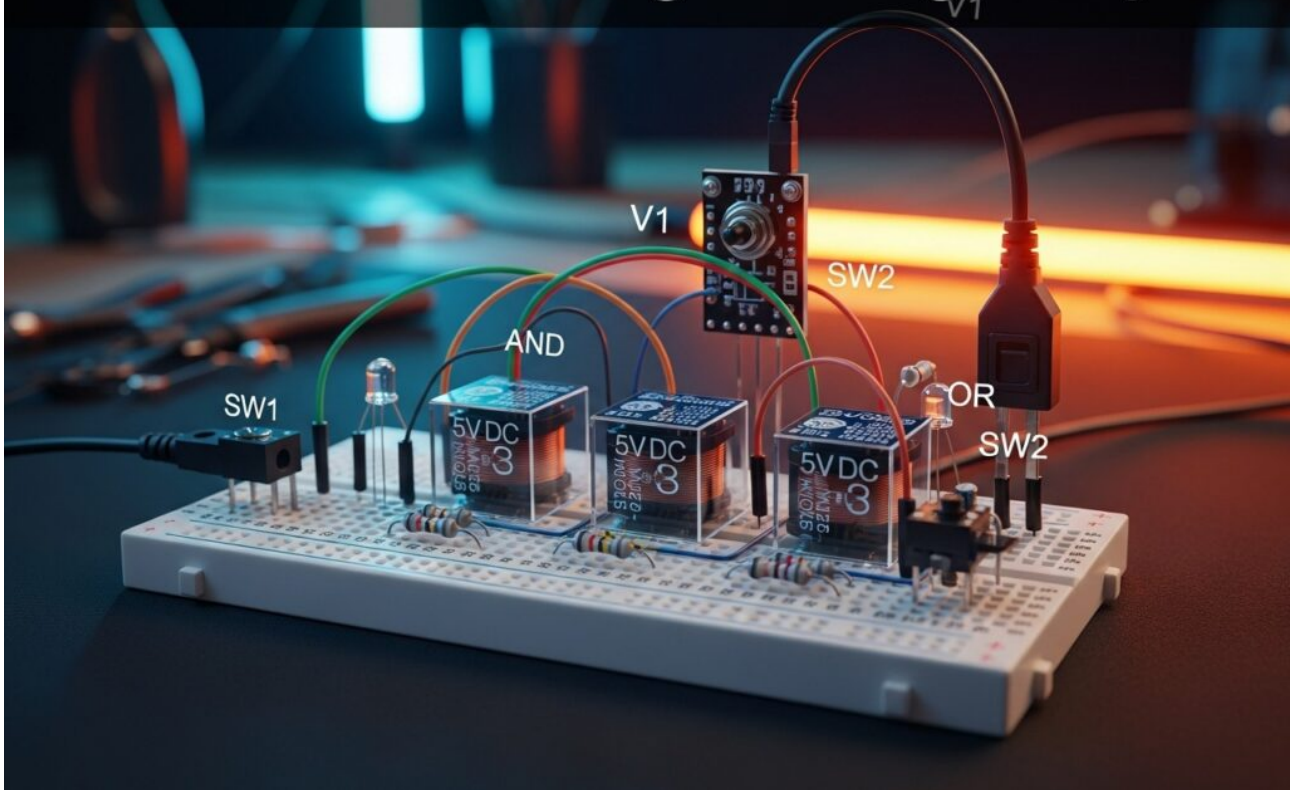
Level: Medium - Disconnect a critical load using a normally closed relay contact when a voltage threshold is exceeded.

## Objective and use case  
In this...

---

**Practical case: AND and OR logic using relays**

# AND and OR logic using relays



Level: Medium - Build basic logic gates by wiring the contacts of multiple relays in series and parallel.

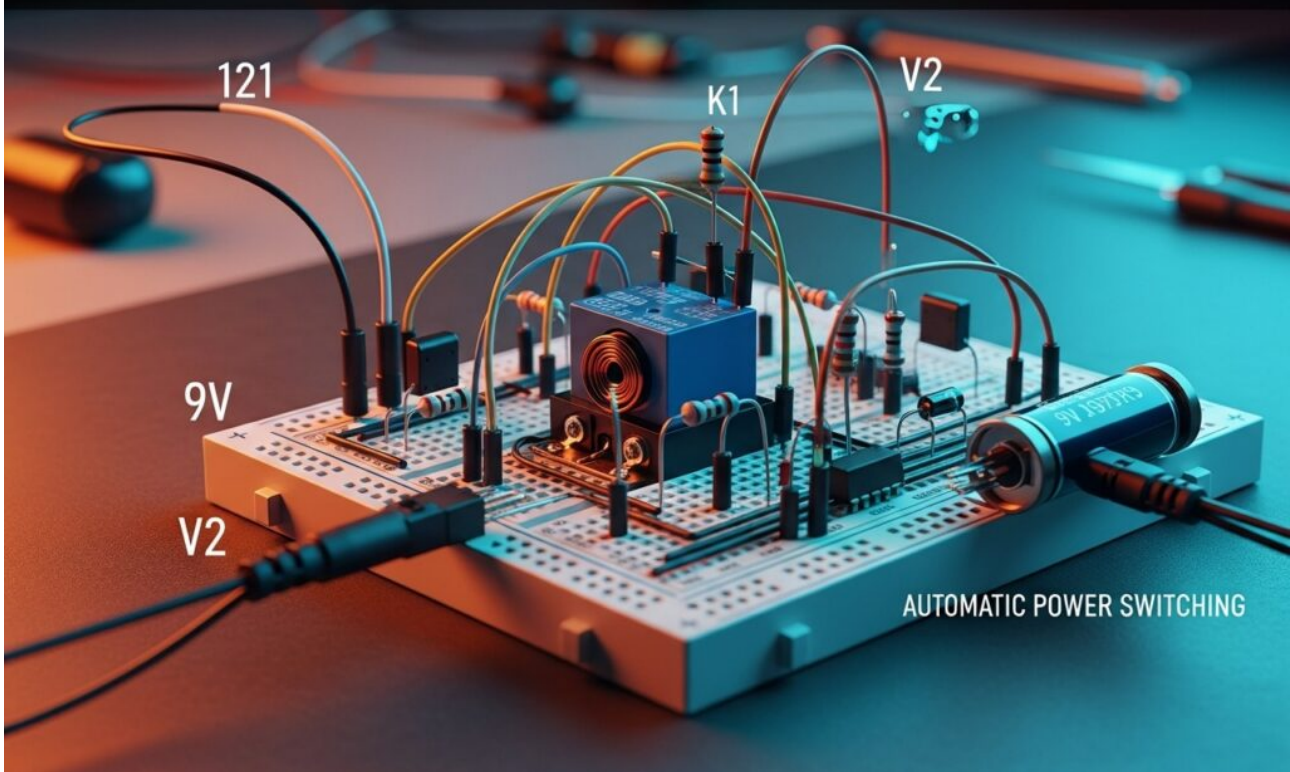
## Objective and use case

\* \*\*What you will...

---

**Practical case: Automatic power switching**

# Automatic power switching



Level: Medium - Implement an SPDT relay to automatically alternate between a main power supply and a backup battery.

## Objective and use case  
In this...